

Ordering Information

AnyreachC



REF	Tip Load (g)	Rail Support	Length (cm)
40S018C06	1.0	Moderate	180
40S019C06	1.0	Moderate	190
40S030C06	1.0	Moderate	300
40S019B06	0.6	Moderate	190
40S030B06	0.6	Moderate	300
40S018A06	0.3	Moderate	180
40S019A06	0.3	Moderate	190
40S030A06	0.3	Moderate	300

AnyreachP

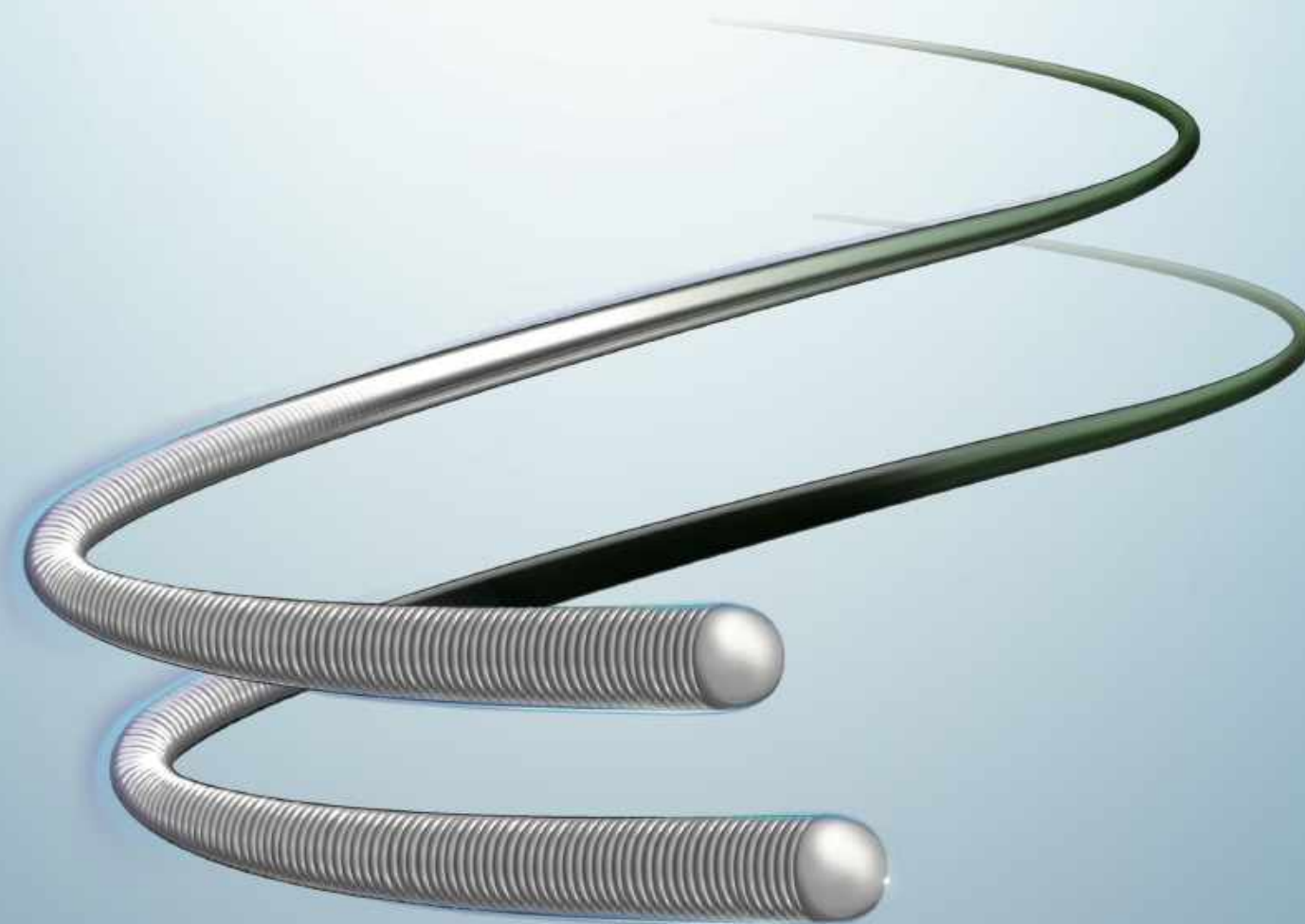


REF	Tip Load (g)	Rail Support	Length (cm)
59S018C0636	1.0	Moderate	180
59S019C0636	1.0	Moderate	190
59S030C0636	1.0	Moderate	300
59S019B0636	0.6	Moderate	190
59S030B0636	0.6	Moderate	300

Please contact us for more information:

APT Medical Inc.

Address: Room 601, Building B, Tongfang Information Port, No.11 Langshan Road,
Nanshan District, Shenzhen, P.R. of China
Post code: 518057 Email: international@aptmed.com
Tel: +86 755-83591013 Fax: +86 755-83480508 www.aptmed.com/en
PN:ENG-PTCA Guide Wire-210X285X4P-20200330



AnyreachC & AnyreachP PTCA Guide Wire

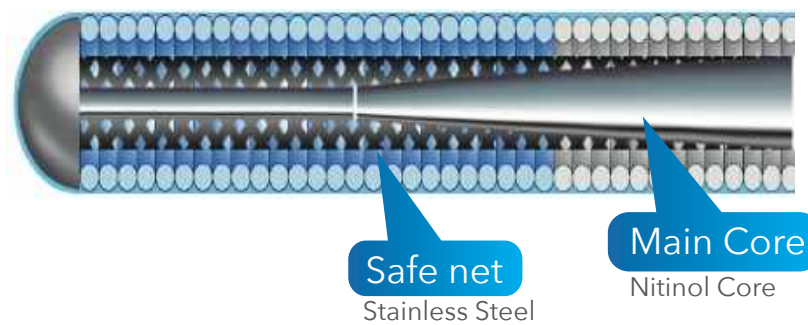
General Information

Support Shaft

Proximal stainless steel core with PTFE coating provides excellent pushability and lubricity.

Hydrophilic Coating

Durable hydrophilic coating ensures good pushability.



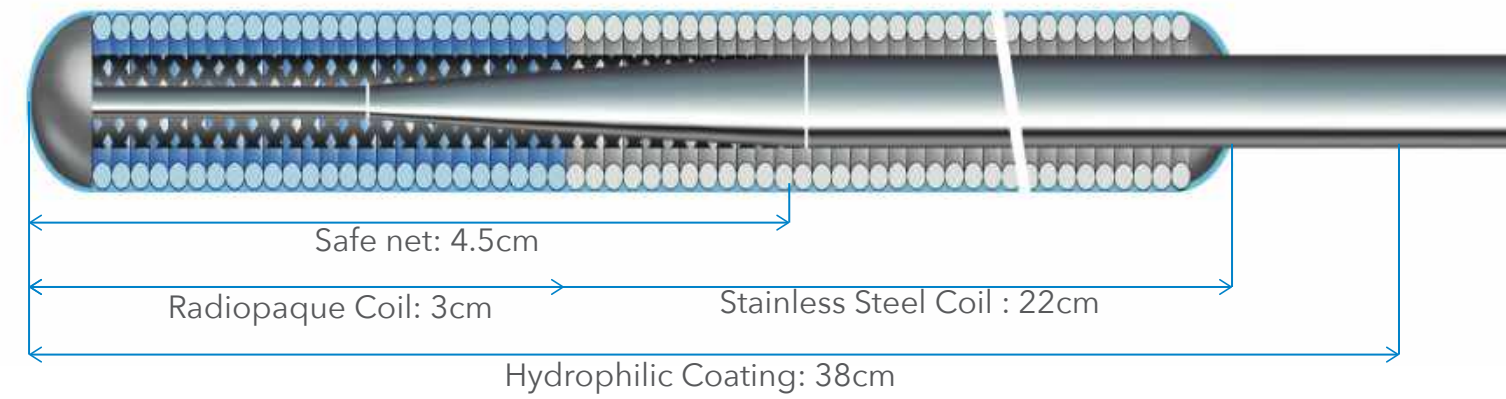
Dual-Core Tip Structure

Provides superior torque transmission and safety.

Diameter: 0.014" (0.36mm)
Wire Length: 180cm/ 190cm/ 300cm
Radiopaque Length: 3cm

Tip Shape: Straight / J
Distal Coating: Hydrophilic
Proximal Coating: PTFE

AnyreachC Series

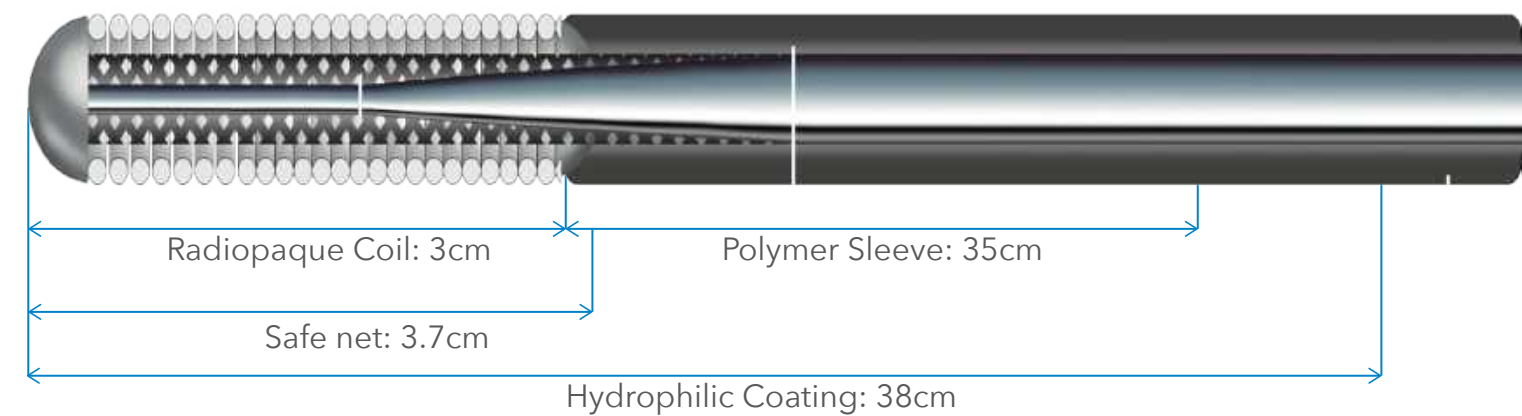


Optimized choice for physicians with nitinol core guarantees a good shaping memory.
Tip Load: 0.6g/1.0g

Lightest available tip load of 0.3g with superior crossability in tortuous vessels.
Tip Load: 0.3g

For AnyreachC with tip load of 0.3g, safe net length is 4.5cm, coil length is 19cm, hydrophilic coating length is 50cm.

AnyreachP Series



Polymer sleeve reduces friction and provides excellent trackability in tortuous vessels.
Tip Load: 0.6g/1.0g